

AOP1203 LED Series

Amperor Aurora Mini LED Modules



Features and Applications:

- Support Small Channel Letter Applications
- Wide Viewing Angle
- Pre-wired Modules for Drop-in Replacement
- Color Coded wires to indicate the Illuminated LED Color
- IP66 Rated Waterproof Grade
- 5 Years Limited Warranty
- 100 ft per Box Packaging
- Compliments Amperor's Series of Class 2 Wet Location LED Drivers / Power Supplies

Note: Please refer to the Color information in the table below for the actual illuminated LED color of each part number.

Optical Specifications

Part Number	Color	Lumens Per Module (min.)	Lumens Per Foot (min.)	Wavelength Color Temperature (Typical)	Viewing Angle (°)
AOP1203-1001	White	14.0 lm	42.0 lm	7500 K	120
AOP1203-1002	Warm White	17.6 lm	52.8 lm	6500 K	120
AOP1203-2001	Red	7.0 lm	21.0 lm	624nm	120

Other Specifications

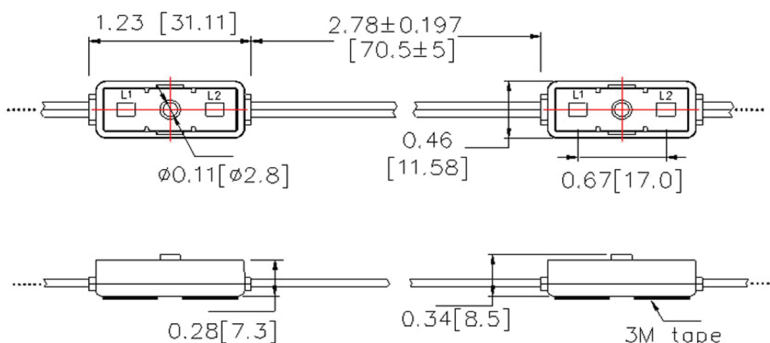
Part Number	LED Per Module	Modules Per Foot	Input Voltage (V)	Power Per Module (W)	Power Per Foot (W)	Operating Ambient Temperature (°C)	Module Dimensions H X W X L (Inches)
AOP1203-1001	2	3	12	0.48	1.44	-40°C ~ 70°C	1.225 X 0.456 X 0.287
AOP1203-1002	2	3	12	0.48	1.44	-40°C ~ 70°C	1.225 X 0.456 X 0.287
AOP1203-2001	2	3	12	0.48	1.44	-40°C ~ 70°C	1.225 X 0.456 X 0.287

AOP1203 LED Series

Amperor Aurora Mini LED Modules



Mechanical Information



Notes:

1. All dimensions in inch[mm].
2. The cable shall be UL2468, 18 AWG*2C. The wire color shall indicate the illuminated LED color.
3. Other tolerance: +/- 0.019[+/- 0.5].
4. Detailed mechanical drawing is available upon request.

Amperor, Inc. DataSheet © 2010

The information and specifications contained in this data sheet are believed to be accurate at time of publication. Specifications are subject to change without notice.